

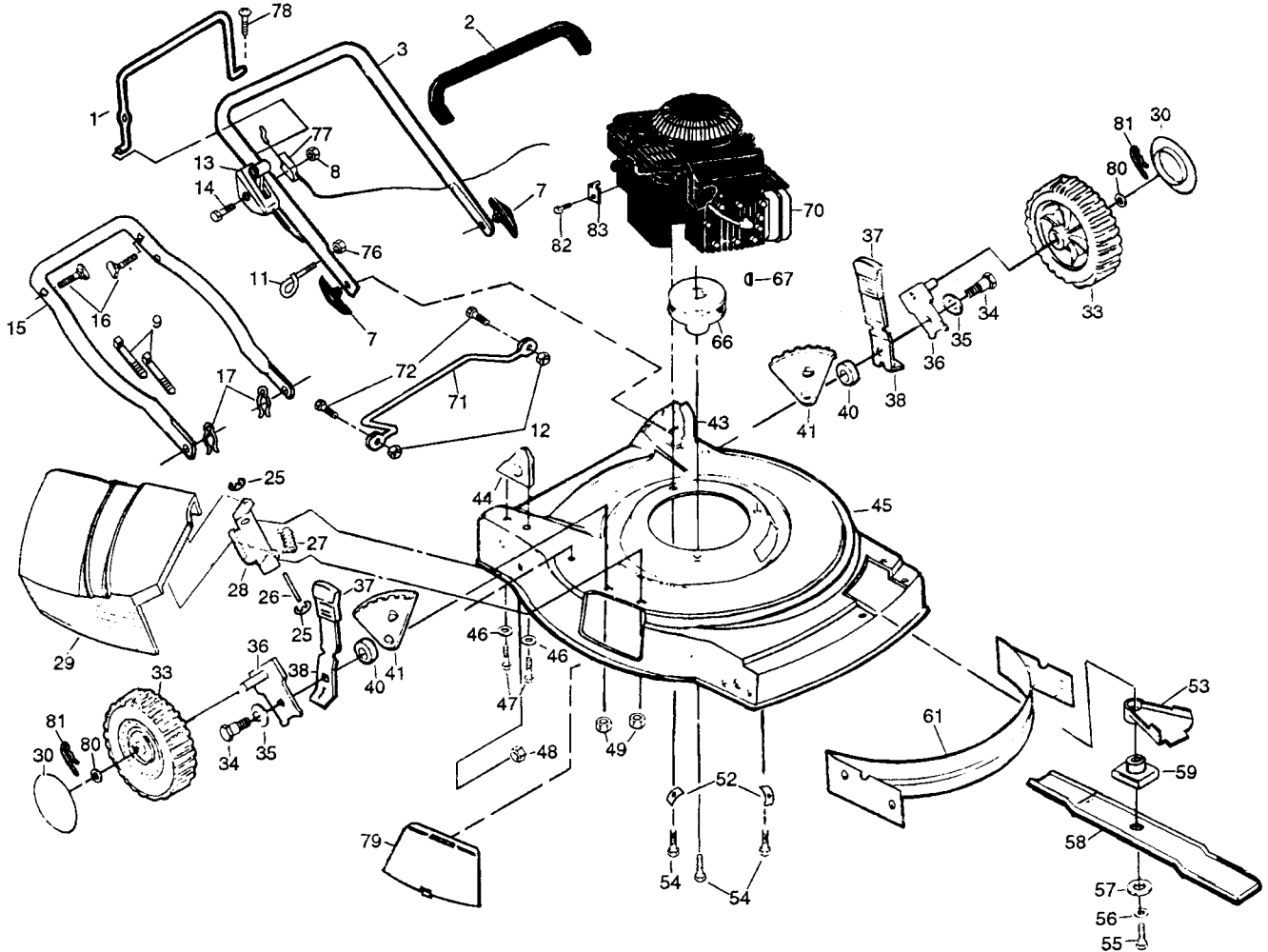


Prod.No: 954 06 80-02

Engine: B & S 12e802 Type: 0886 Trim: 02

SPAREPARTS

107 25 39-66

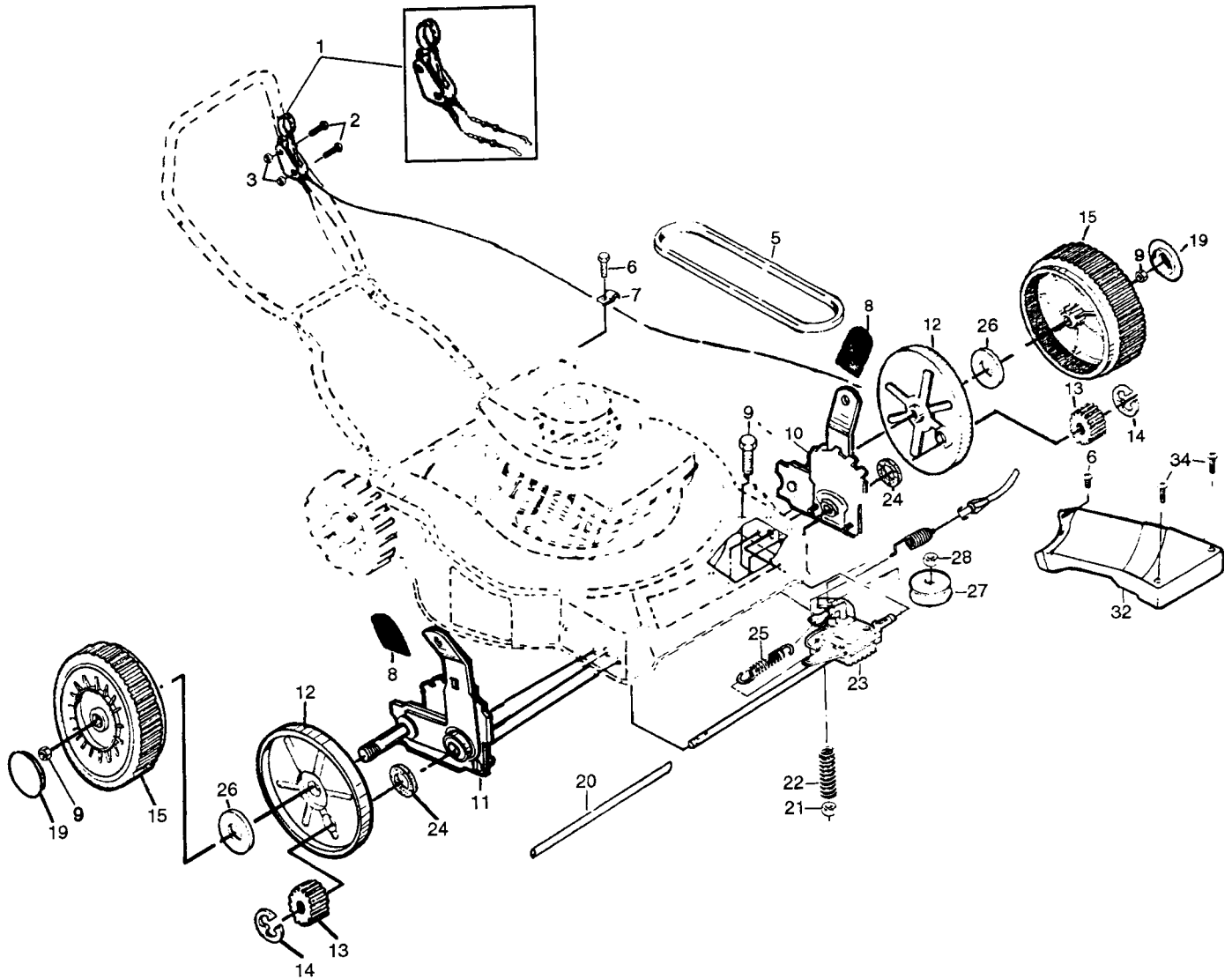


*These Parts must be purchased through an authorized Briggs & Stratton Dealer.

Available Accessories not included with mower:
 -- GCK5000 Grass Catcher

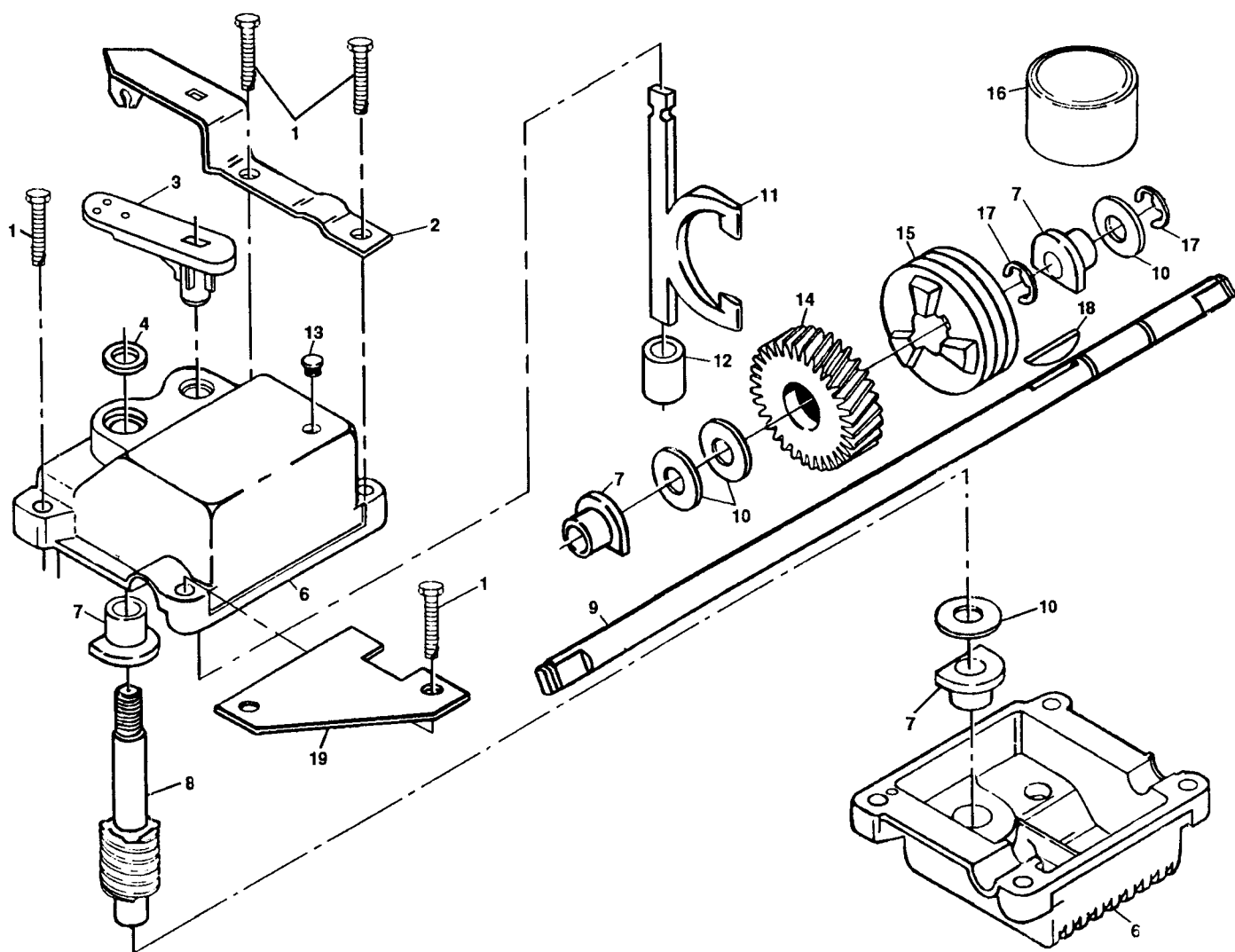
Key No.	Part No.	Description
1	532 13 25-70	Control Bar
2	532 12 97-14	Handle Grip
3	532 14 14-32	Upper Handle
7	532 13 63-76	Handle Knob
8	873 68 04-00	Locknut 1/4-20
9	532 06 64-26	Wire Ties
11	532 13 20-01	Rope Guide
12	873 68 04-00	Locknut 1/4-20
13	532 70 04-17	Throttle Control
14	532 14 49-29	Hex Washer Head Screw 1/4-20 x 2-1/8
15	532 12 54-25	Lower Handle
16	532 13 19-59	Handle Bolt 5/16-18 x 1-3/4
17	532 05 17-93	Hairpin Cotter
25	812 00 00-14	E-Ring
26	532 08 75-90	Hinge Rod
27	532 08 75-89	Torsion Spring
28	532 08 75-93	Housing Bracket Assembly
29	532 75 01-49	Discharge Guard
30	532 07 74-00	Hubcap
33	532 85 09-57	Wheel & Tire Assembly
34	874 78 06-16	Shoulder Bolt 3/8-16 x 1
35	532 06 23-35	Belleville Washer 1/2
36	532 12 50-70	Axle Arm Assembly
37	532 13 28-00	Selector Knob
38	532 12 51-68	Selector Spring
40	532 08 49-20	Spacer
41	532 12 81-50	Wheel Adjusting Bracket (L.R.)
42	532 12 81-51	Wheel Adjusting Bracket (R.R.)
43	532 14 04-66	Handle Bracket Assembly (Left)
44	532 14 04-65	Handle Bracket Assembly (Right)
45	532 14 65-33	Lawn Mower Housing (Incl. Ref. #63, 74)
46	532 05 92-89	Washer

Key No.	Part No.	Description
47	532 05 51-87	Self Tapping Screw 5/16-18 x 3/4
48	873 68 06-00	Locknut 3/8-16
49	873 68 04-00	Locknut 1/4-20
52	532 12 50-78	Washer
53	532 13 22-31	Debris Shield
54	532 85 09-98	Hex Head Thread Rolling Screw 3/8-16 x 1
55	532 85 10-84	Hex Head Screw 3/8-24 x 1-3/8 Grade 8
56	532 85 02-63	Helical Lock Washer 3/8
57	532 85 10-74	Hardened Washer
58	532 14 11-14	22" Blade
59	532 85 15-14	Blade Adapter
61	532 14 89-02	Front Baffle
--	532 12 59-81	Rear Baffle (Not Shown)
66	532 08 45-96	Engine Pulley
67	532 08 76-77	Hi-Pro Key #HP 505
70	-----	* Engine - Briggs & Stratton - Model No. 12E802
71	532 80 16-22	Foot Guard
72	532 08 58-25	Self Tapping Screw #10-24 x 1
76	873 51 04-00	Keys Locknut 1/4-20
77	532 13 08-61	MZR Cable
78	532 85 15-52	Pan Head Screw 10-16 x .63
79	532 14 54-20	Mulcher Plate
80	532 05 21-60	Washer 17/32 x 1 x 21 Ga.
81	532 08 51-79	Retainer Clip
82	532 08 38-16	* Screw
--	532 21 31-46	* Clamp
--	532 14 77-14	Owner's Manual, Euro.
--	532 14 77-16	Owner's Manual, Scand.



Key No.	Part No.	Description
1	532 70 06-15	Dual Head Cable Control Assembly
2	532 75 00-29	Pan Head Machine Screw 1/4-20 x 2-3/16
3	532 06 91-80	Locknut
5	532 13 70-78	V-Belt
6	817 02 10-08	Hex Washer Head Screw #10-24 x 1/2
7	532 08 79-30	Clip Guide (Housing)
8	532 13 28-00	Selector Knob
9	532 70 08-75	Hex Head Bolt 1/4-20 x 2
10	532 14 66-03	Wheel Adjuster Assembly (Left)
11	532 14 66-04	Wheel Adjuster Assembly (Right)
12	532 08 80-80	Dust Cover
13	532 13 70-54	Pinion
14	812 00 00-58	E-Ring
15	532 85 06-90	Wheel & Tire Assembly

Key No.	Part No.	Description
19	532 07 74-00	Hubcap
20	532 08 60-12	Drive Shaft Cover
21	873 68 04-00	Locknut
22	532 13 70-90	Spring
23	532 70 25-11	Gear Case Assembly
24	532 08 81-18	Felt Washer
25	532 07 51-92	Spring
26	532 06 77-25	Washer
27	532 13 70-52	Drive Pulley
28	532 13 20-10	Locknut
32	532 13 70-88	Drive Cover
34	532 08 78-66	Pan Head Tapping Screw #10-24 x 2-3/4
36	532 05 21-60	Washer 17/32 X 1 x 2 1/2 Ga.
37	532 08 51-79	Retainer Clip



Key No.	Part No.	Description
1	817 49 04-16	Tapping Screw 1/4-20 x 1-1/4
2	532 14 02-69	Engagement Bracket
3	532 13 70-53	Shifter
4	532 05 70-72	Seal
6	532 04 83-73	Gear Case Halves Kit (Includes Key Nos. 4, 5, and 7)
7	532 07 78-81	Bearing
8	532 13 70-51	Worm Shaft
9	532 13 70-74	Drive Shaft
10	532 05 70-79	Hardened Washer
11	532 13 14-84	Clutch Yoke

Key No.	Part No.	Description
12	532 70 03-43	Bushing
13	532 08 64-47	Plug
14	532 13 70-50	Helical Gear
15	532 75 04-36	Clutch Jaw
16	532 75 03-55	Grease
17	812 00 00-03	E-Ring
18	532 85 08-48	Hi-Pro Key
19	532 12 54-41	Spring Bracket

NOTE: All component dimensions given in U.S. inches
1 inch = 25.4 mm